

DPR Series

3-in-1 Switches (DC Jack, Power switch, Reset-key)

SPECIFICATIONS

ELECTRICAL RATING : DC 15V 3A

CONTACT RESISTANCE : < 30mΩ(initial)

INSULATION RESISTANCE : > 500MΩ

(500VDC between open contacts)

DIELECTRIC STRENGTH : >500V 1 minute

ELECTRICAL LIFE : 6000 cycles



DPR-01

MATERIALS

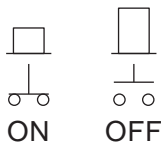
CASE&HOUSING: Glass filled Nylon 6/6,black.

ACTUATOR : Glass filled Nylon 6/6,Black.

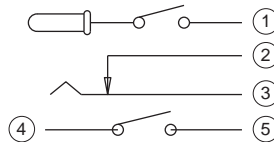
CONTACT : Copper alloy,silver plated.

TERMINALS : Copper alloy,silver plated.

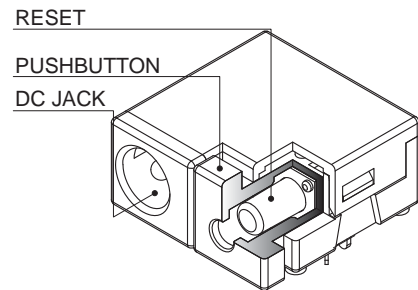
PIN : Brass,nickel plated.



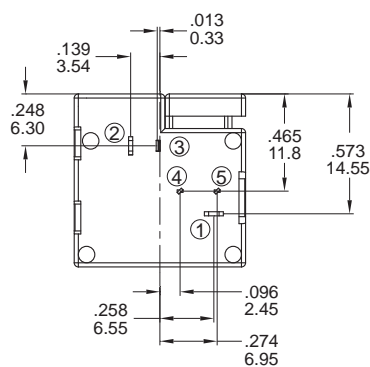
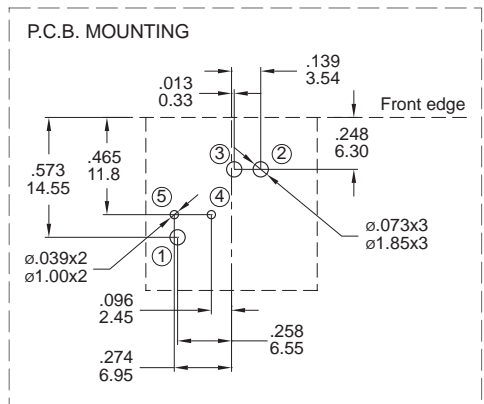
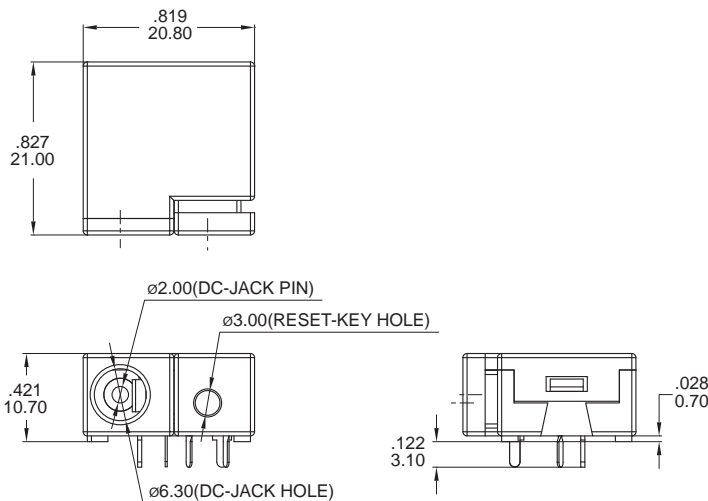
Switch Circuit Diagram



Circuit Diagram



DIMENSION



DPR
3-in-1 Switches